

HYBRID STEPPER MOTOR BALL SCREW ACTUATOR



- **Motor characteristics**

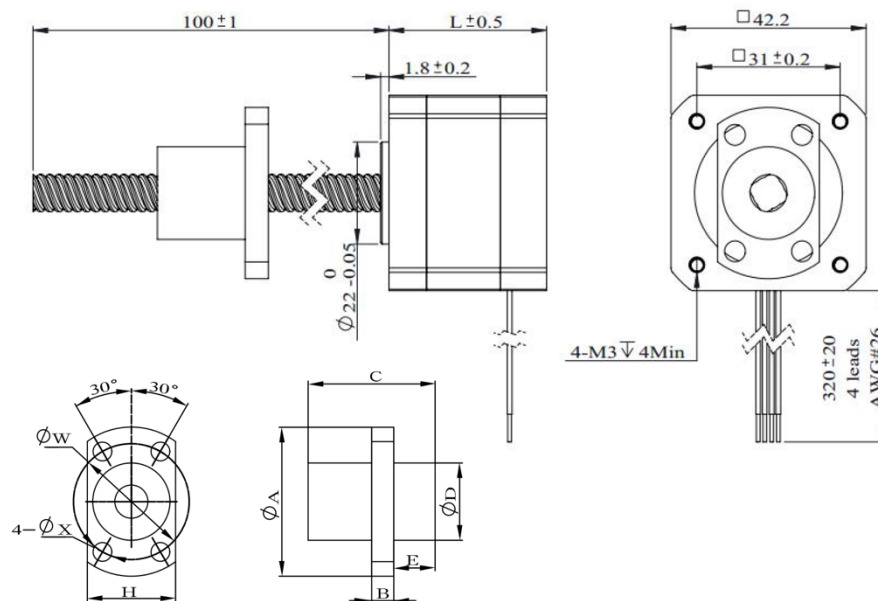
Motor	Voltage (v)	Current (A)	Resistance (Ω)	Inductance (mH)	Lead wire no.	Motor length (mm)
ACT1734-10-B100	3,8	1,0	3,8	5,0	4	34,1
ACT1734-15-B100	2,78	1,5	1,85	2,2	4	34,1
ACT1748-12-B100	4,56	1,2	3,8	8,0	4	48,1
ACT1748-25-B100	2,5	2,5	1,0	1,8	4	48,1

- **Ball Screw Specifications**

Ball Screw Type	0801	0802	0802,5	0805	0808	0810	0812
Ball Size	$\varnothing 0,8$	$\varnothing 1,5875$	$\varnothing 1,5875$	$\varnothing 1,5875$	$\varnothing 1,5875$	$\varnothing 1,5875$	$\varnothing 1,5875$
Number of Thread	1	1	1	1	2	2	2
Thread Direction	Right						
Shaft Root Diameter	$\varnothing 7,3$	$\varnothing 6,6$	$\varnothing 6,3$	$\varnothing 6,6$	$\varnothing 6,7$	$\varnothing 6,7$	$\varnothing 6,7$
Number of Circuit	3,7x1	3,7x1	2,7x1	2,7x1	1,6x1	1,6x1	1,6x1
Shaft, Nut Material	SCM415H						
Surface Hardness	HRC58-62						
Anti-Rust Treatment	Anti-rust Oil						
Grade	C7						

Nut Size	A	B	C	D	H	W	X	E	Position Accuracy	Total Run Out	Axial Play	Dynamic Load (N)	Static Load (N)
0801	29	4	17	16	18	23	3,4		±0.05	0,12	0,02	780	1650
0802	37	5	24	20	22	29	4,5		±0.05	0,12	0,02	2400	4100
0802,5	29	4	16	16	18	23	3,4		±0.05	0,12	0,02	1850	3000
0805	31	4	28	18	20	25	3,4		±0.05	0,12	0,02	1850	3000
0808	31	4	20	18	20	25	3,4	6	±0.05	0,12	0,02	2200	3800
0810	31	4	20	18	20	25	3,4	7	±0.05	0,12	0,02	2200	3800
0812	31	4	24	18	20	25	3,4	6	±0.05	0,12	0,02	2200	3800

- Dimensional Drawings



- Speed Thrust Curves

