

The size 17 Hybrid precision linear actuator is the mostly used for linear movement applications, provides up to 330N of continuous thrust.



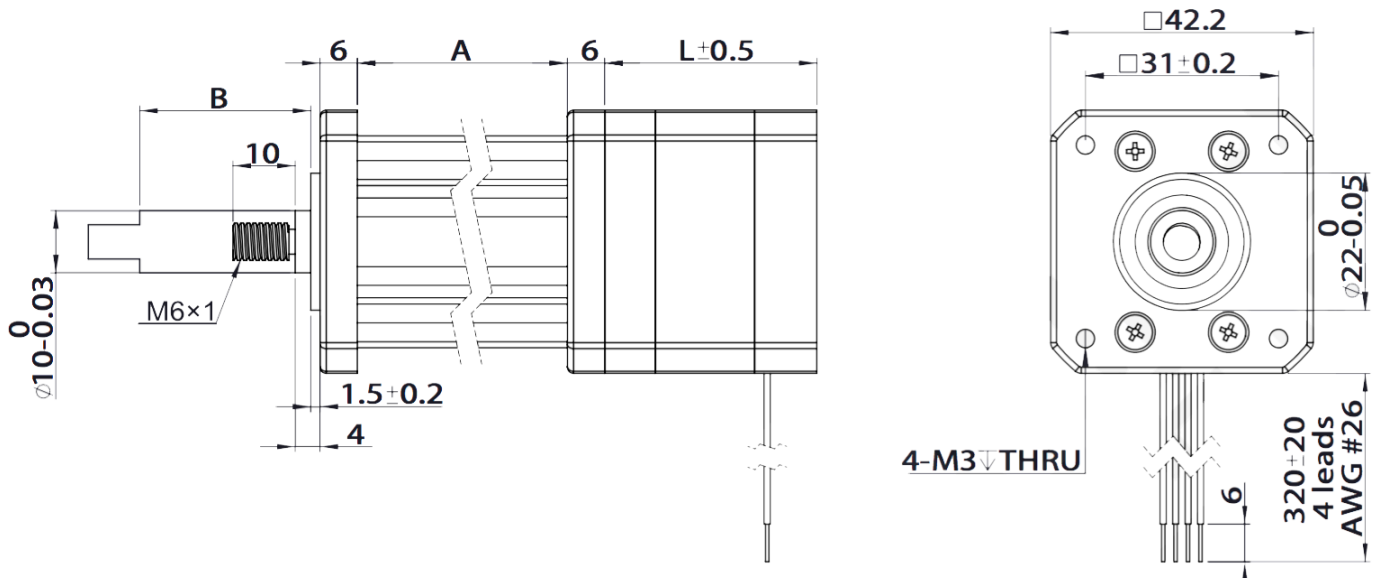
- **Motor characteristics**

Motor	Voltage (v)	Current (A)	Resistance (Ω)	Inductance (mH)	Weight (g)	Lead wire no.	Motor length (mm)
ACT1734-05-C	7,2	0,5	14,4	19,8	254	4	34,1
ACT1734-10-C	3,6	1,0	3,6	5,0	254	4	34,1
ACT1734-25-C	2,4	2,5	1,9	2,2	254	4	34,1
ACT1748-05-C	11,0	0,5	22,0	46,0	386	4	48,1
ACT1748-12-C	4,5	1,2	3,8	8,0	386	4	48,1
ACT1748-25-C	2,2	2,5	0,9	1,8	386	4	48,1

- **Available lead screw and travel per step**

Screw Dia. (inch)	Screw Dia. (mm)	Lead (inch)	Lead (mm)	Lead Code	Travel Per Step @ 1.8 deg (mm)	Travel Per Step @ 0,9 deg (mm)
0,25	6,35	0,024	0,6096	AA	0,0030	0,0015
0,25	6,35	0,039	1,0000	AB	0,0050	0,0025
0,25	6,35	0,048	1,2192	B	0,0060	0,0030
0,25	6,35	0,050	1,2700	D	0,0060	0,0032
0,25	6,35	0,063	1,5875	F	0,0080	0,0040
0,25	6,35	0,096	2,4383	J	0,0120	0,0061
0,25	6,35	0,100	2,5400	K	0,0130	0,0064
0,25	6,35	0,125	3,1750	L	0,0160	0,0079
0,25	6,35	0,192	4,8768	AQ	0,0240	0,0122
0,25	6,35	0,192	4,8768	Q	0,0240	0,0122
0,25	6,35	0,250	6,3500	S	0,0320	0,0159
0,25	6,35	0,333	8,4667	U	0,0420	0,0210
0,25	6,35	0,384	9,7536	W	0,0490	0,0244
0,25	6,35	0,500	12,7000	Y	0,0640	0,0318
0,31	8,00	0,175	4,0000	M	0,0200	0,0100
0,31	8,00	0,315	8,0000	T	0,0400	0,0200

- Dimensional Drawings (Captive Actuator)



- Stroke Specification

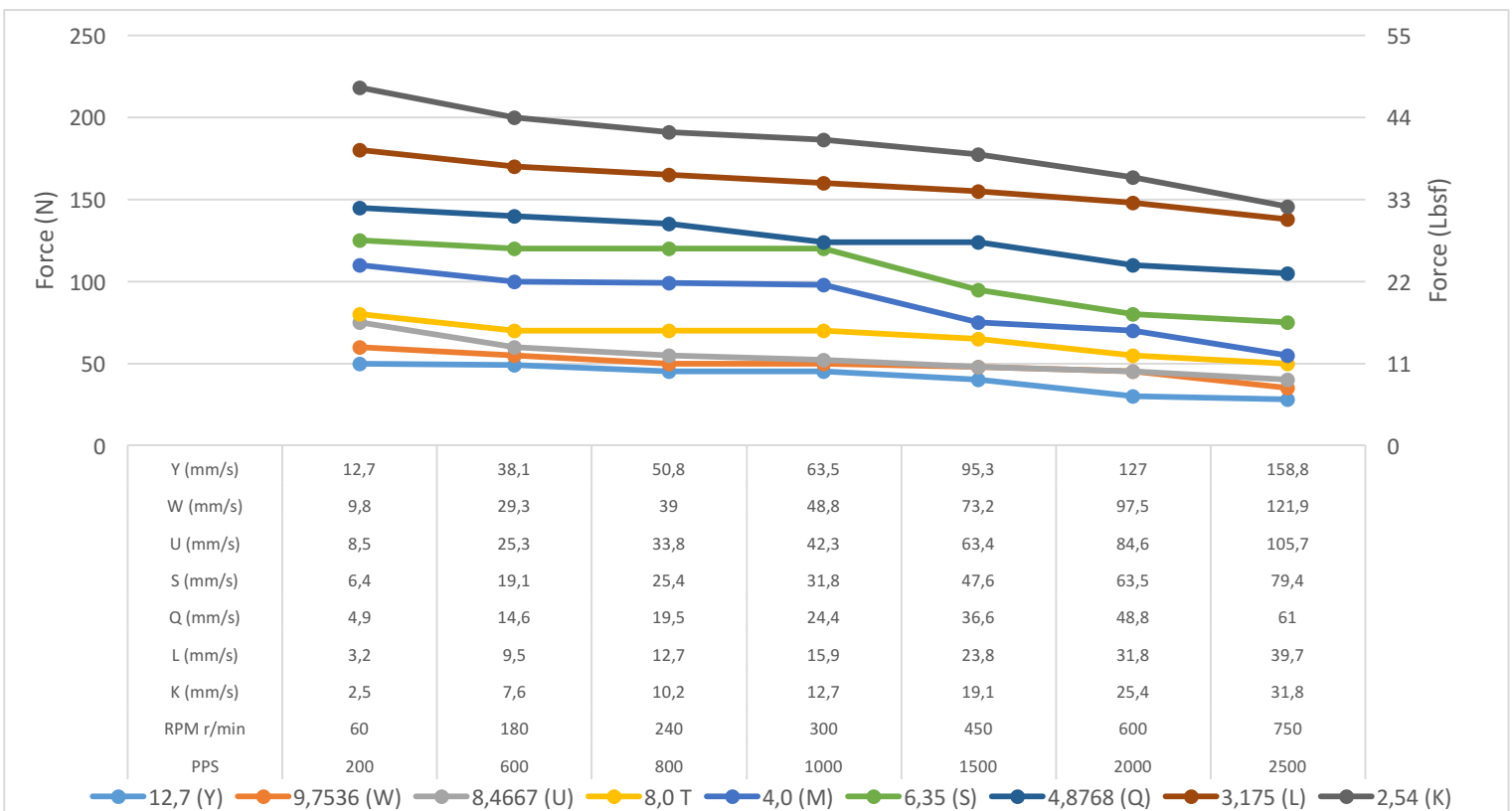
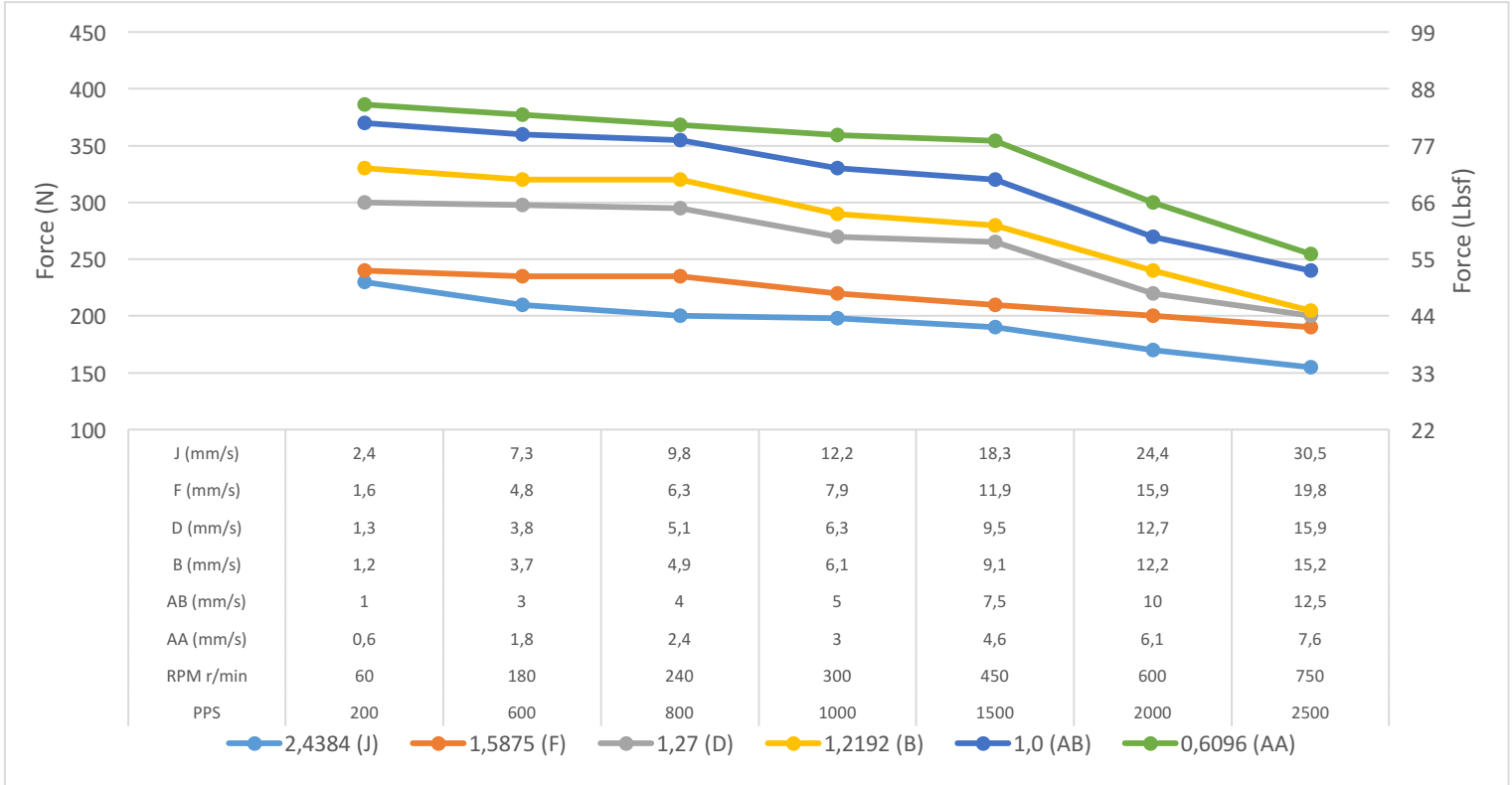
Stroke B inch (mm)	A (mm)	L (mm)	
0,50 (12,70)	35,70	Single Stack Motor 34,1mm	Double Stack Motor 48,1mm
0,75 (19,05)	42,05		
1,00 (25,40)	48,40		
1,25 (31,80)	54,80		
1,50 (38,10)	61,10		
2,00 (50,80)	73,80		
2,50 (63,50)	86,50		

• Size 17 (42mm) Performance curves

Single stack speed thrust curves

Bipolar, Chopper driver 1,0 A RMS

Screw diameter 6,35 mm, Recommended load limit 230N



Double stack speed thrust curves

Bipolar, Chopper driver 1,5 A RMS

Screw diameter 6,35 mm, Recommended load limit 230N

