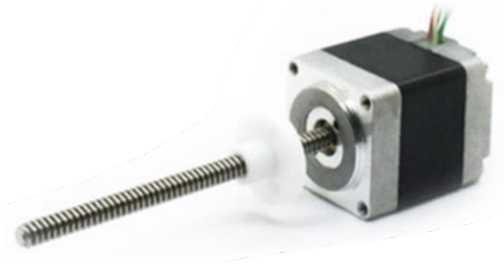


The size 11 hybrid linear actuator occupies a mounting footprint of slightly above 1 in² but provides over 3X the continuous thrust of size 8.



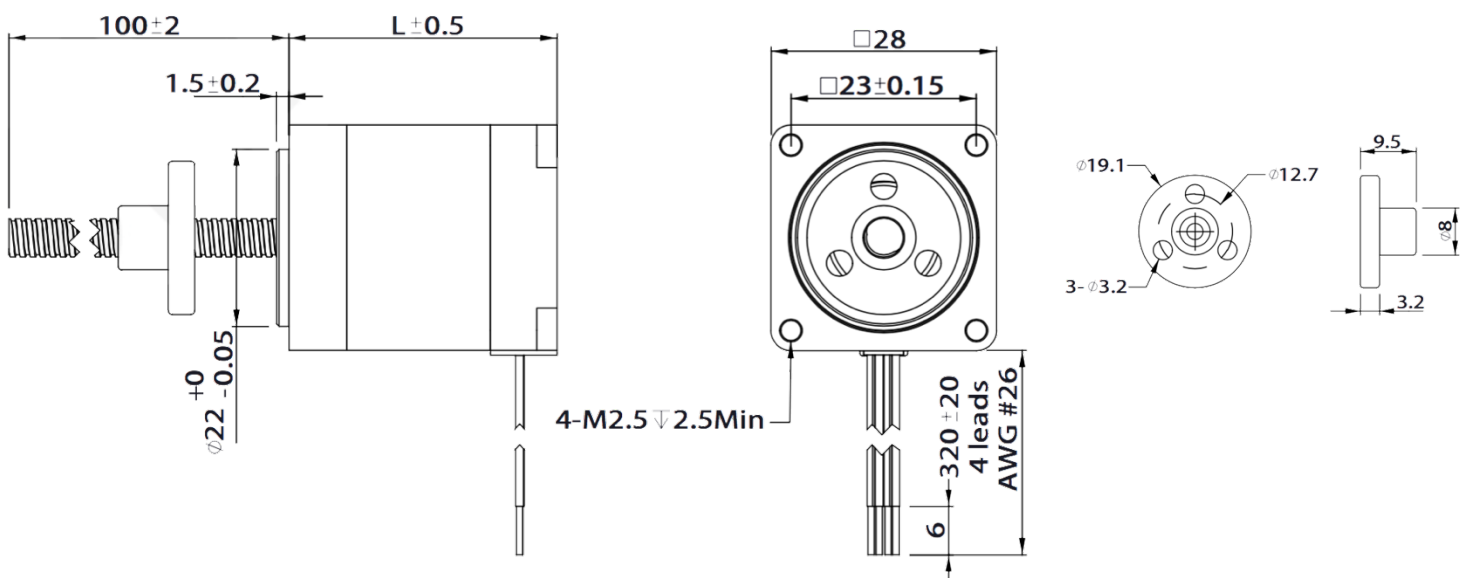
- **Motor characteristics**

Motor	Voltage (v)	Current (A)	Resistance (Ω)	Inductance (mH)	Weight (g)	Lead wire no.	Motor length (mm)
ACT1134-05-E100	4,5	0,5	9,1	6,0	117	4	34
ACT1134-10-E100	2,2	1,0	2,1	1,2	117	4	34
ACT1145-09-E100	3,9	0,95	4,1	4,0	173	4	45
ACT1145-16-E100	2,25	1,6	1,45	1,1	173	4	45

- **Available lead screw and travel per step**

Screw Dia. (inch)	Screw Dia. (mm)	Lead (inch)	Lead (mm)	Lead Code	Travel Per Step @ 1.8 deg (mm)*
0,188	4,77	0,025	0,635	A	0,0032
0,188	4,77	0,050	1,270	D	0,0063
0,188	4,77	0,100	2,540	K	0,0127
0,188	4,77	0,200	5,080	R	0,0254
0,188	4,77	0,400	10,160	X	0,0508

- **Dimensional Drawings (External Actuator)**

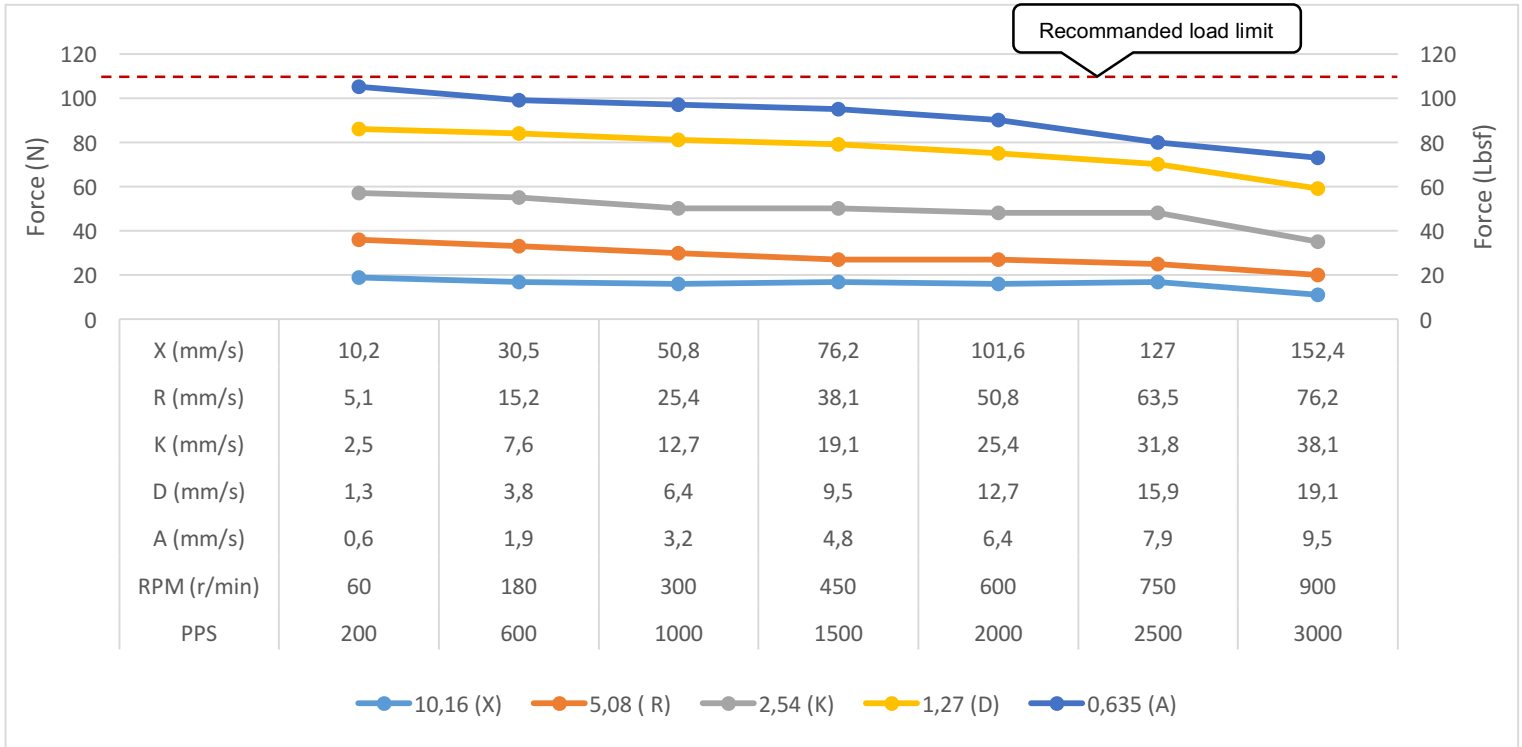


• Size 11 (28mm) Performance curves

Single stack speed thrust curves

Bipolar, chopper driver, 10 A RMS

Screw diameter 4,77 mm



Double stack speed thrust curves

Bipolar, chopper driver, 0,5 A RMS

Screw diameter 4,77 mm

