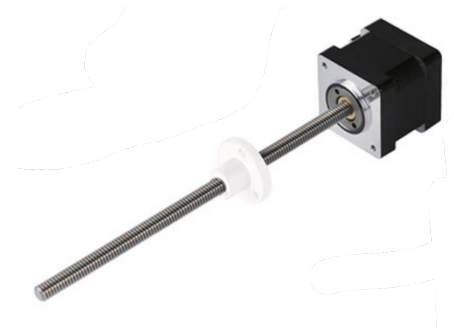


The size 14 Hybrid precision linear actuator is the mostly used for linear movement applications, provides up to 230N of continuous thrust.



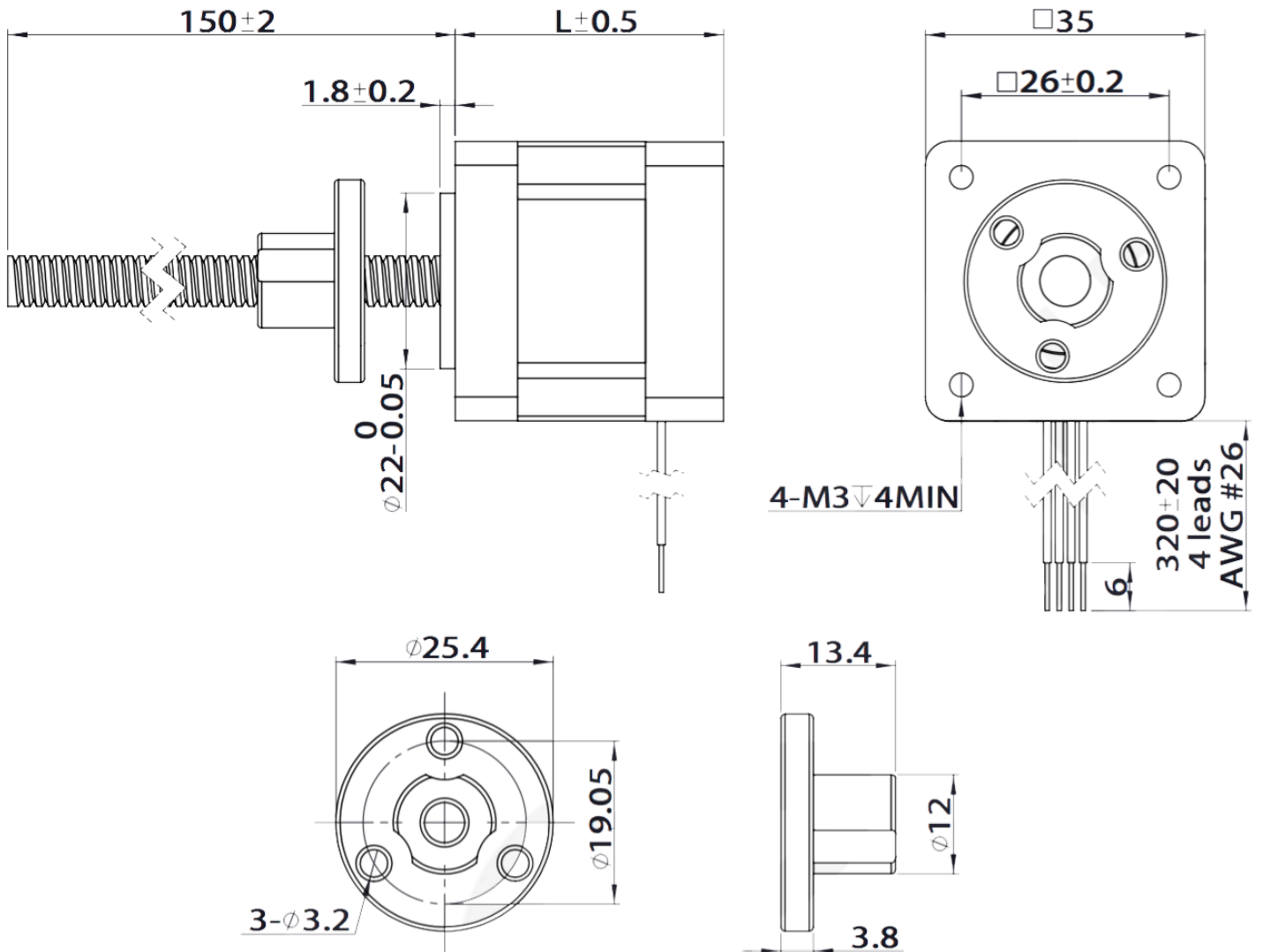
- **Motor characteristics**

| Motor | Voltage (v) | Current (A) | Resistance (Ω) | Inductance (mH) | Weight (g) | Lead wire no. | Motor length (mm) |
|-----------------|-------------|-------------|-------------------------|-----------------|------------|---------------|-------------------|
| ACT1434-05-E150 | 6,6 | 0,5 | 13,2 | 14,0 | 189 | 4 | 34 |
| ACT1434-10-E150 | 3,3 | 1,0 | 3,5 | 3,6 | 189 | 4 | 34 |
| ACT1434-15-E150 | 2,2 | 1,5 | 1,8 | 1,9 | 189 | 4 | 34 |
| ACT1446-05-E150 | 12,0 | 0,5 | 24,0 | 29,0 | 210 | 4 | 46 |
| ACT1446-10-E150 | 6,0 | 1,0 | 6,0 | 7,2 | 210 | 4 | 46 |
| ACT1446-15-E150 | 4,0 | 1,5 | 2,7 | 3,2 | 210 | 4 | 46 |

- **Available lead screw and travel per step**

| Screw Dia. (inch) | Screw Dia. (mm) | Lead (inch) | Lead (mm) | Lead Code | Travel Per Step @ 1.8 deg (mm) | Travel Per Step @ 0,9 deg (mm) |
|-------------------|-----------------|-------------|-----------|-----------|--------------------------------|--------------------------------|
| 0,25 | 6,35 | 0,024 | 0,6096 | AA | 0,0030 | 0,0015 |
| 0,25 | 6,35 | 0,039 | 1,0000 | AB | 0,0050 | 0,0025 |
| 0,25 | 6,35 | 0,048 | 1,2192 | B | 0,0060 | 0,0030 |
| 0,25 | 6,35 | 0,050 | 1,2700 | D | 0,0060 | 0,0032 |
| 0,25 | 6,35 | 0,063 | 1,5875 | F | 0,0080 | 0,0040 |
| 0,25 | 6,35 | 0,096 | 2,4383 | J | 0,0120 | 0,0061 |
| 0,25 | 6,35 | 0,100 | 2,5400 | K | 0,0130 | 0,0064 |
| 0,25 | 6,35 | 0,125 | 3,1750 | L | 0,0160 | 0,0079 |
| 0,25 | 6,35 | 0,192 | 4,8768 | AQ | 0,0240 | 0,0122 |
| 0,25 | 6,35 | 0,192 | 4,8768 | Q | 0,0240 | 0,0122 |
| 0,25 | 6,35 | 0,250 | 6,3500 | S | 0,0320 | 0,0159 |
| 0,25 | 6,35 | 0,333 | 8,4667 | U | 0,0420 | 0,0210 |
| 0,25 | 6,35 | 0,384 | 9,7536 | W | 0,0490 | 0,0244 |
| 0,25 | 6,35 | 0,500 | 12,7000 | Y | 0,0640 | 0,0318 |

- Dimensional Drawings (External Actuator)

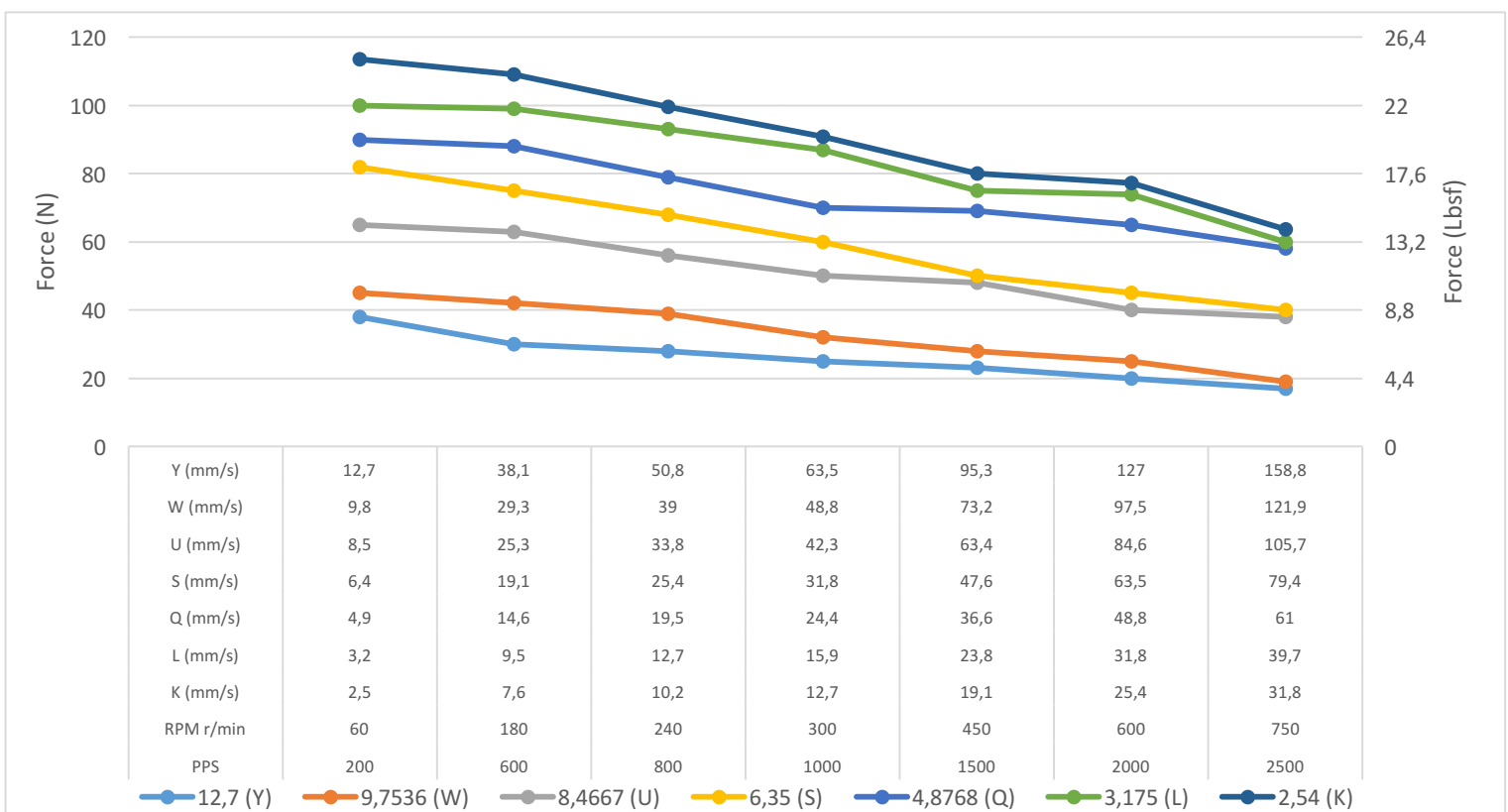
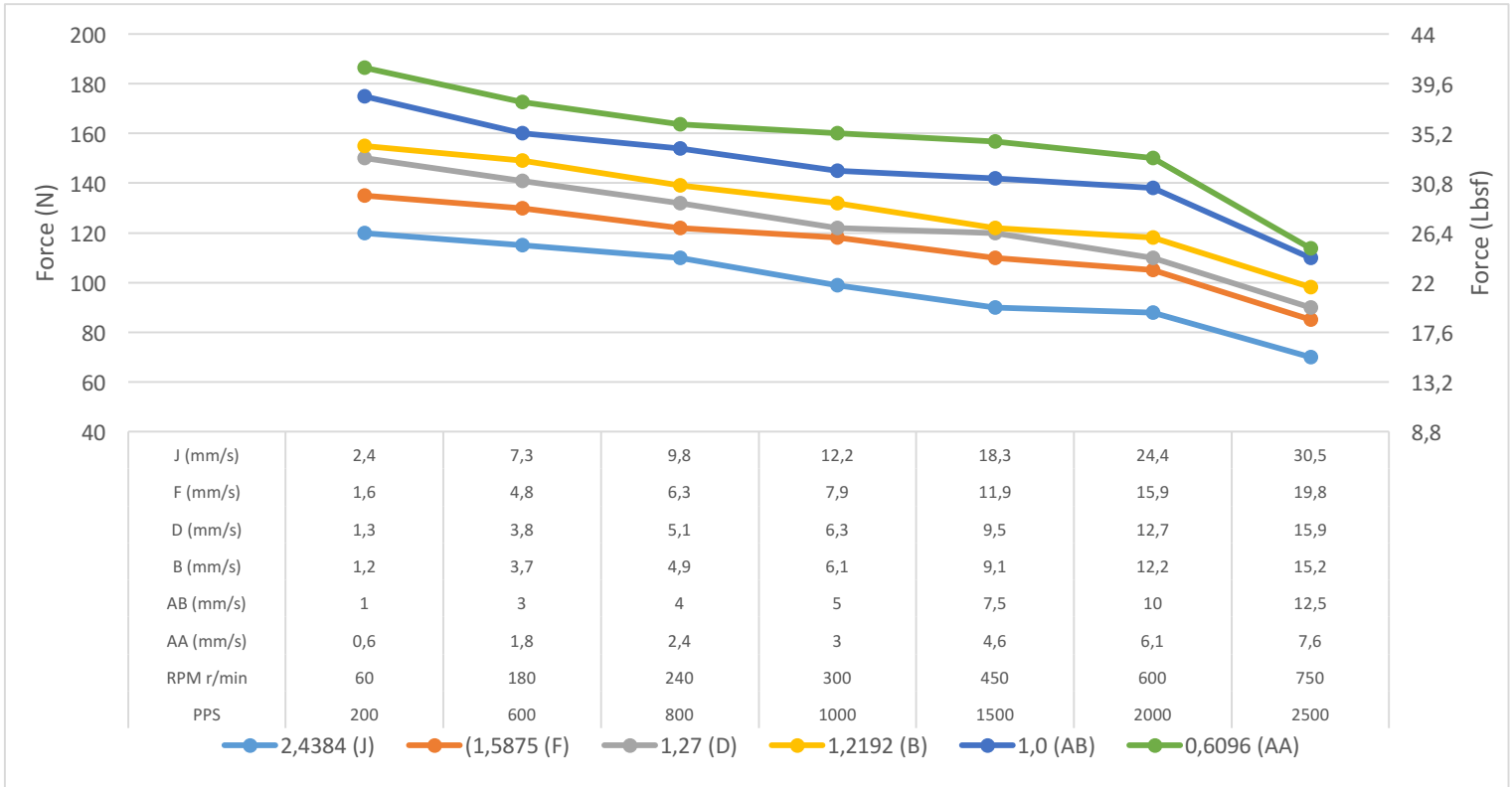


• Size 14 (35mm) Performance curves

Single stack speed thrust curves

Bipolar, Chopper driver 1,0 A RMS

Screw diameter 6,35 mm, Recommended load limit 230N



Double stack speed thrust curves

Bipolar, Chopper driver 1,5 A RMS

Screw diameter 6,35 mm, Recommended load limit 230N

