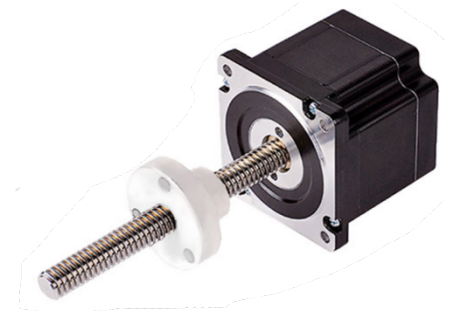


The size 34 hybrid precision linear actuator is in big size, high power, with best performance, which capable of 2270N of continuous thrust.



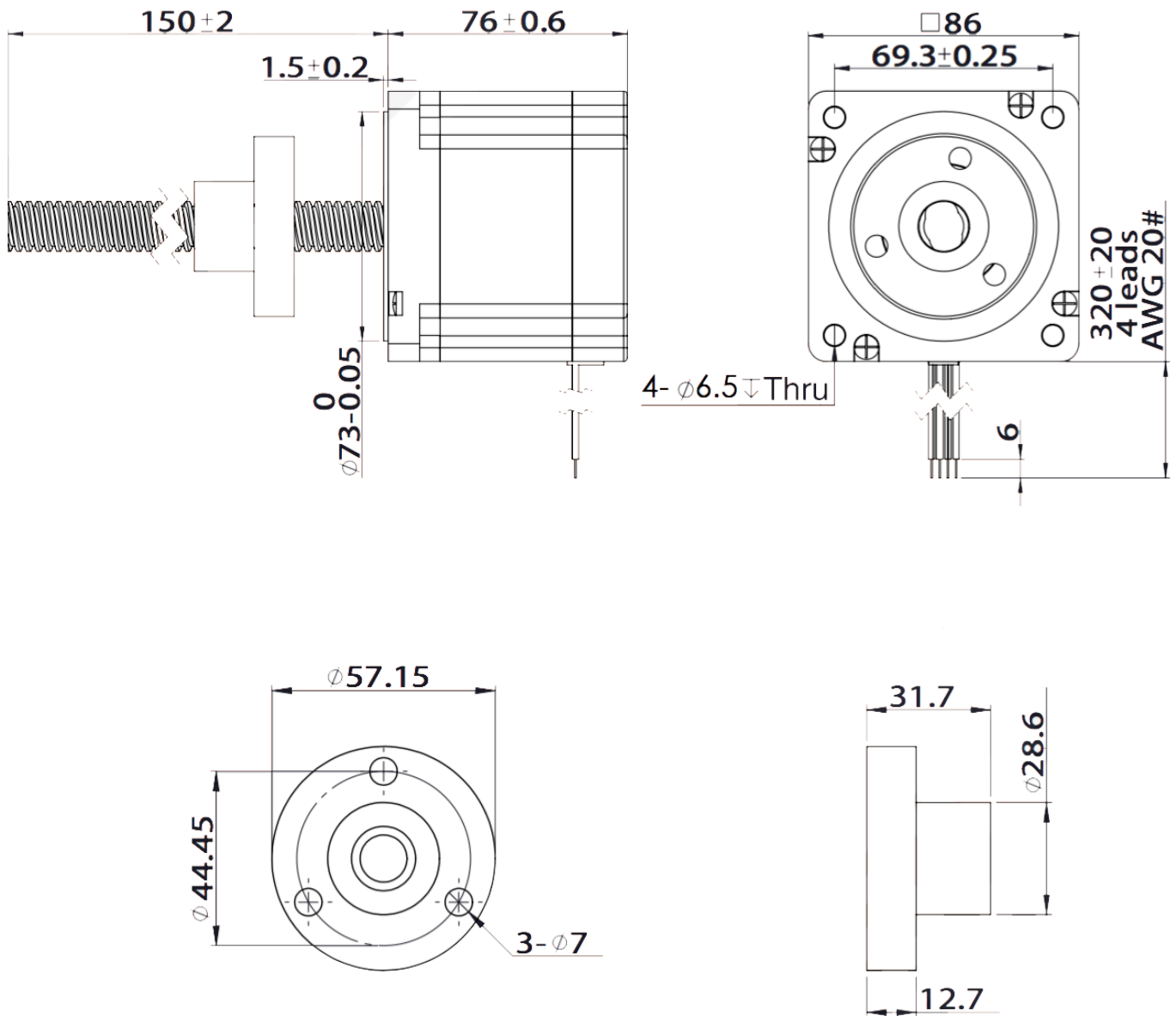
- **Motor characteristics**

Motor	Voltage (v)	Current (A)	Resistance (Ω)	Inductance (mH)	Weight (g)	Lead wire no.	Motor length (mm)
ACT3476-13-E150	12,0	1,3	9,2	71,0	2370	4	76
ACT3476-30-E150	5,7	3,0	1,9	15,0	2370	4	76
ACT3476-55-E150	2,85	5,5	0,52	4,5	2370	4	76

- **Available lead screw and travel per step**

Screw Dia. (inch)	Screw Dia. (mm)	Lead (inch)	Lead (mm)	Lead Code	Travel Per Step @ 1.8 deg (mm)	Travel Per Step @ 0,9 deg (mm)
0,625	15,875	0,100	2,540	K	0,0127	0,0051
0,625	15,875	0,125	3,175	L	0,0159	0,0064
0,625	15,875	0,200	5,080	R	0,0254	0,0102
0,625	15,875	0,250	6,350	S	0,0318	0,0127
0,625	15,875	0,500	12,700	Y	0,0635	0,0318
0,625	15,875	1,000	25,400	Z	0,1270	0,0508

- Dimensional Drawings (External Actuator)



- **Size 34 (86mm) Performance curves**

Single stack speed thrust curves

Bipolar, Chopper driver 5,5 A RMS

Screw diameter 15,875 mm, Recommended load limit 2270N

