

The size 8 is our smallest hybrid linear actuators. This compact unit can be integrated into various applications to provide precise linear positioning while occupying less than 1 in² of mounting footprint and providing up to 44.5N of continuous thrust.



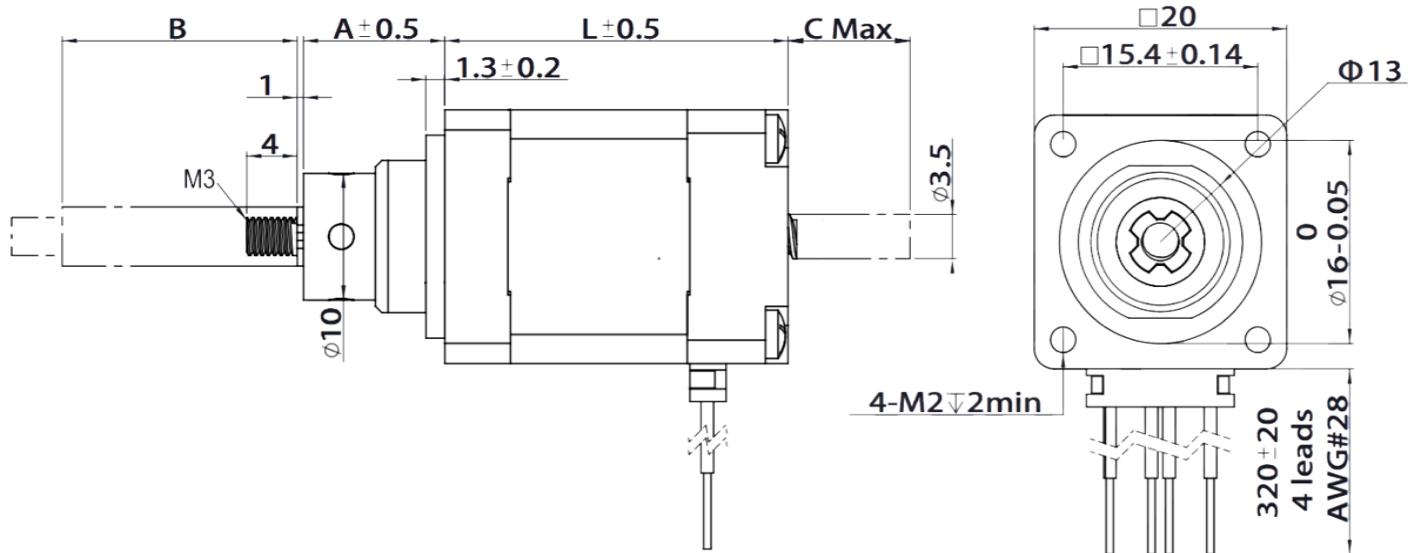
- **Motor characteristics**

Motor	Voltage (v)	Current (A)	Resistance (Ω)	Inductance (mH)	Weight (g)	Lead wire no.	Motor length (mm)
ACT0827-05-K	2,5	0,5	5,1	1,5	51	4	27,2
ACT0838-05-K	4,4	0,5	8,8	2,7	74	4	38,1

- **Available lead screw and travel per step**

Screw Dia. (inch)	Screw Dia. (mm)	Lead (inch)	Lead (mm)	Lead Code	Travel Per Step @ 1.8 deg (mm)*
0,138	3,5	0,012	0,3000	AF	0,0015
0,138	3,5	0,024	0,6096	AA	0,0030
0,138	3,5	0,048	1,2192	B	0,0061
0,138	3,5	0,079	2,0000	G	0,0100
0,138	3,5	0,158	4,0000	M	0,0200
0,138	3,5	0,315	8,0000	T	0,0400

- Dimensional Drawings (Kaptive Actuator)

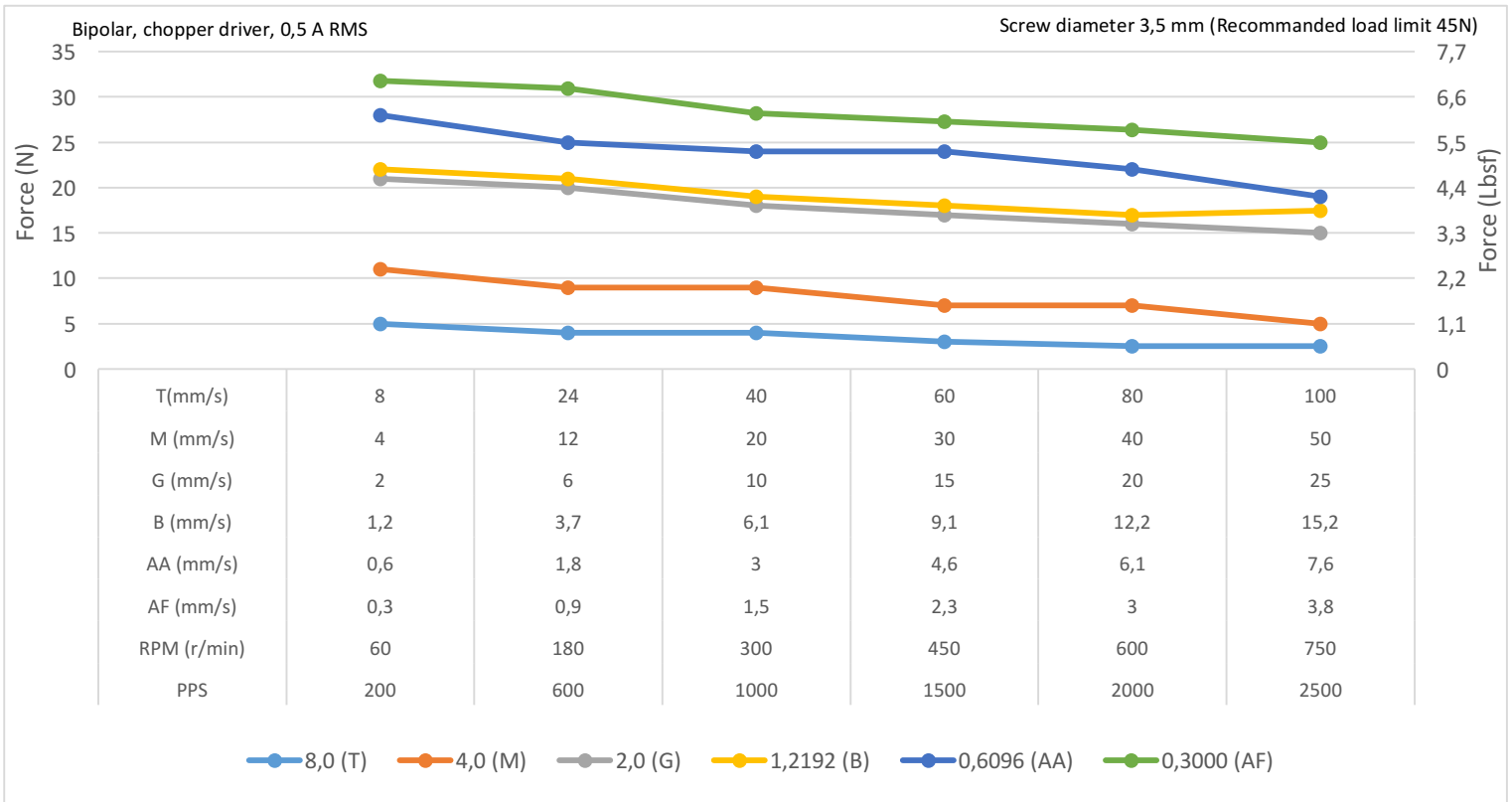


- Stroke Specification

A (mm)	Stroke B (mm)	C (mm)	
		L = 27,2	L = 38,1
11,20	9,00	1	0
14,90	12,70	5	0
21,10	19,05	11	0
27,60	25,40	17	6
34,00	31,80	24	13
40,30	38,10	30	19

- **Size 8 (20mm) Performance curves**

Single stack speed thrust curves



Double stack speed thrust curves

