

The size 8 is our smallest hybrid linear actuators. This compact unit can be integrated into various applications to provide precise linear positioning while occupying less than 1 in² of mounting footprint and providing up to 44.5N of continuous thrust.



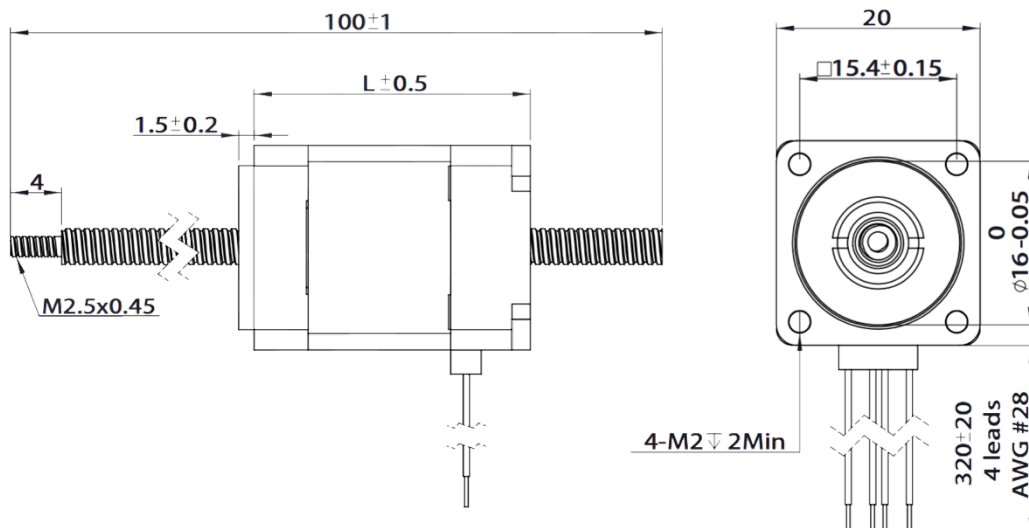
- Motor characteristics**

Motor	Voltage (v)	Current (A)	Resistance (Ω)	Inductance (mH)	Weight (g)	Lead wire no.	Motor length (mm)
ACT0827-05-N100	2,5	0,5	5,1	1,5	51	4	27,2
ACT0838-05-N100	4,4	0,5	8,8	2,7	74	4	38,1

- Available lead screw and travel per step**

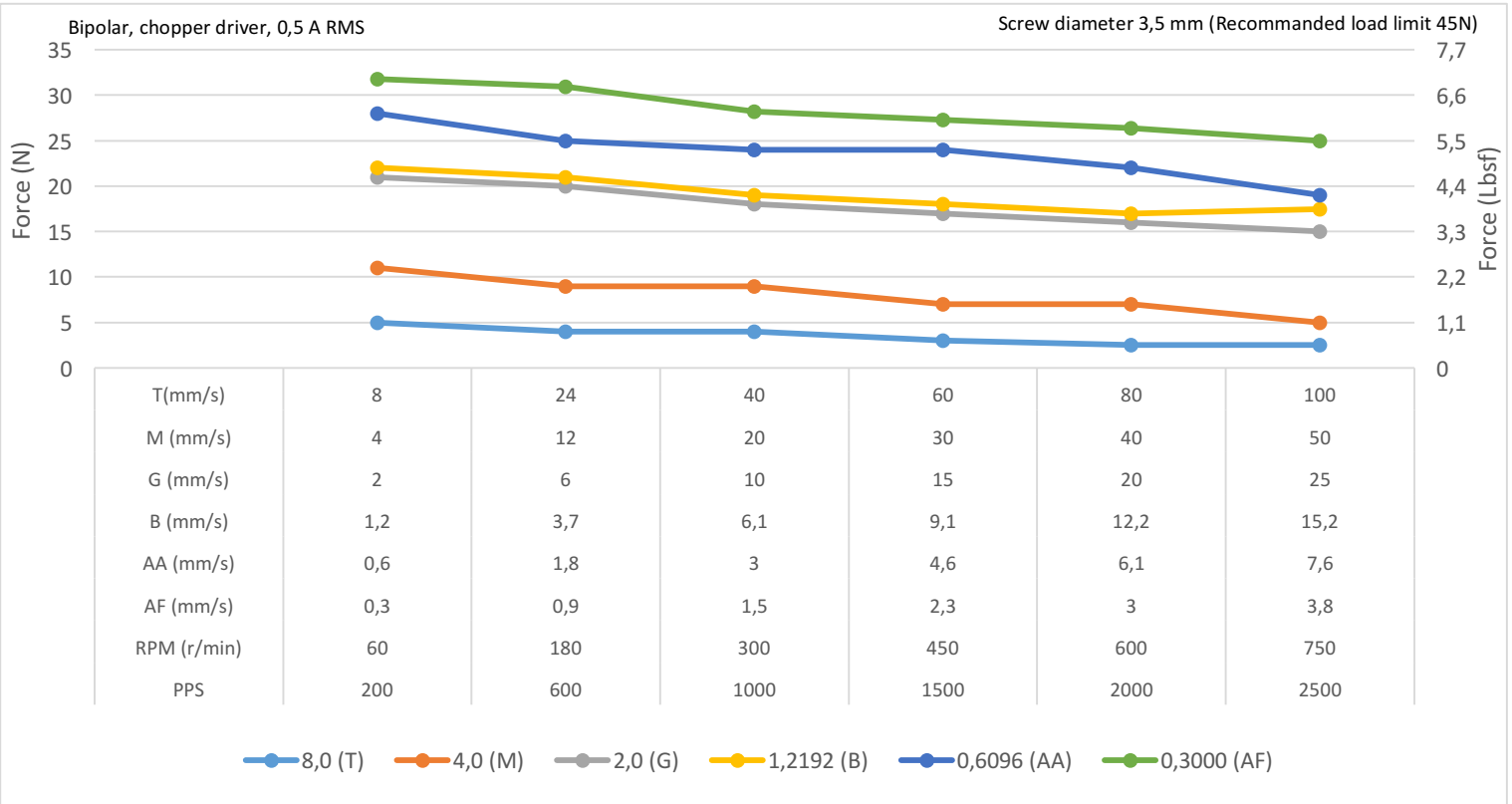
Screw Dia. (inch)	Screw Dia. (mm)	Lead (inch)	Lead (mm)	Lead Code	Travel Per Step @ 1.8 deg (mm)*
0,138	3,5	0,012	0,3000	AF	0,0015
0,138	3,5	0,024	0,6096	AA	0,0030
0,138	3,5	0,048	1,2192	B	0,0061
0,138	3,5	0,079	2,0000	G	0,0100
0,138	3,5	0,158	4,0000	M	0,0200
0,138	3,5	0,315	8,0000	T	0,0400

- Dimensional Drawings (Non-Captive Actuator)**



- **Size 8 (20mm) Performance curves**

Single stack speed thrust curves



Double stack speed thrust curves

