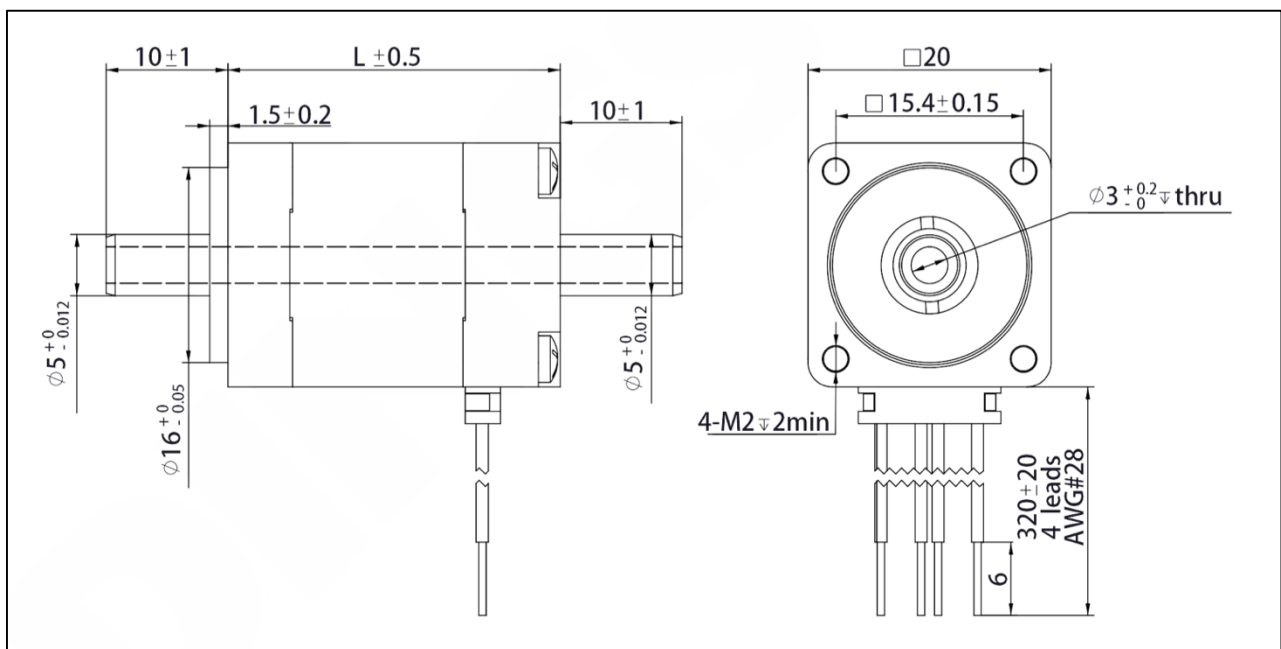




• Motor Characteristics

| Motor | Rated Voltage (V) | Current (A) | Resistance (Ω) | Inductance (mH) | Holding Torque (Nm) | Detent Torque (Nm) | Motor Length « L » (mm) |
|----------------|-------------------|-------------|-------------------------|-----------------|---------------------|--------------------|-------------------------|
| MOT0828-05-H-x | 2,55 | 0,5 | 5,1 | 1,5 | 0,014 | 0,002 | 27,2 |
| MOT0838-05-H-x | 4,4 | 0,5 | 8,8 | 2,7 | 0,020 | 0,002 | 38,1 |

• Dimensional Drawings



- Torque Performance Curves

